

FS-4 Series Medium Duty Foot Switches

Features

- Robust zinc metal die cast body
- Four switch ratings available:
 10A: 1/2HP 125/250VAC
 15A: 3/4HP 125VAC, 1-1/2HP 250VAC
 20A: 1-1/2HP 125VAC, 2HP 250VAC
 25A: 1-1/2HP 125VAC, 2HP 250VAC
- UL/CSA/CE/CCC certified
- Custom color/wiring available

Specifications

Operating Frequency	60 ops/min
Insulation Resistance	>100MW@500V DC
Contact Resistance	<25mΩ (initial)
Dielectric Strength	1000VAC for 1 min between current carrying parts 2500VAC for 1 min between non-current carrying parts
Service Life	Mechanically 1 x 10 ⁶ (operations) Electrically 5 x 10 ⁵ (operations)
Operating Temperature	-30~+80°C (-22~176°F)
Degree of Protection	IP68/NEMA 6,6P

Selection Guide:

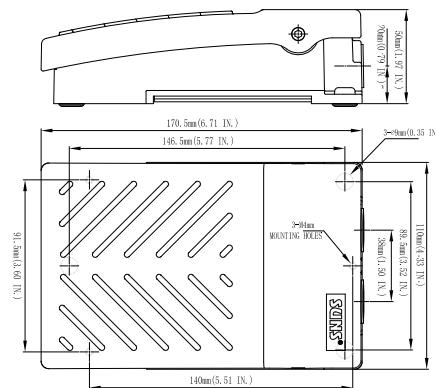
FSM	-	41	-	G	-	20	-	D	-	T	-	A
Enclosure Material		Guard Options		Electrical Rating		Options		Contact Type		Conduit Type		
Blank: Plastic M: Metal die cast		Blank: No guard G: With metal guard GP: With plastic guard		10: 10A 15: 15A 20: 20A 25: 25A		Blank: Momentary D: Maintained A: Anti-trip mechanism		Blank: SPDT T: DPDT (2NO/2NC) S: DPDT (2-stage)		A: 1/2NPT C: M20 F: 3/4NPT A2: Two 1/2NPT C2: Two M20 F2: Two 3/4NPT		

Part Number*	Description	Guard	Anti-Trip	Protective Gate	Stage	Circuit	Degree of Protection	Electrical Ratings
FS-41-25	Momentary	No	No	No	1	SPDT	IP68	25A:1-1/2HP 125VAC, 2HP 250VAC
FS-41G-25	Momentary	Yes	No	No	1	SPDT	IP68	25A:1-1/2HP 125VAC, 2HP 250VAC
FS-41-25-D	Maintained	No	No	No	1	SPDT	IP68	25A:1-1/2HP 125VAC, 2HP 250VAC
FS-41-25-A	Momentary	No	Yes	No	1	SPDT	IP68	25A:1-1/2HP 125VAC, 2HP 250VAC
FS-41-25-T	Momentary	No	No	No	1	DPDT	IP68	25A:1-1/2HP 125VAC, 2HP 250VAC
FS-41-25-S	Momentary	No	No	No	2	DPDT	IP68	25A:1-1/2HP 125VAC, 2HP 250VAC
FSM-41-25	Momentary	No	No	No	1	SPDT	IP68	25A:1-1/2HP 125VAC, 2HP 250VAC
FSM-41G-25	Momentary	Yes	No	No	1	SPDT	IP68	25A:1-1/2HP 125VAC, 2HP 250VAC
FSM-41-25-D	Maintained	No	No	No	1	SPDT	IP68	25A:1-1/2HP 125VAC, 2HP 250VAC
FSM-41-25-A	Momentary	No	Yes	No	1	SPDT	IP68	25A:1-1/2HP 125VAC, 2HP 250VAC
FSM-41-25-T	Momentary	No	No	No	1	DPDT	IP68	25A:1-1/2HP 125VAC, 2HP 250VAC
FSM-41-25-S	Momentary	No	No	No	2	DPDT	IP68	25A:1-1/2HP 125VAC, 2HP 250VAC
FS-41-10-2-18/2	Momentary	No	No	No	1	SPDT	IP68	10A:1/2HP 125/250VAC
FSM-41-10-2-18/3	Momentary	No	No	No	1	SPDT	IP68	10A:1/2HP 125/250VAC
FSM-41-15-2-14/3	Momentary	No	No	No	1	SPDT	IP68	15A:3/4HP 125VAC, 1-1/2HP 250VAC

* Add conduit type suffix to get the complete part numbers

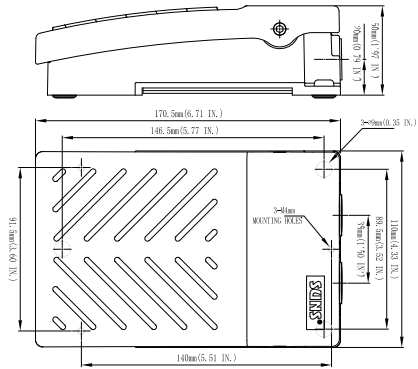
Dimensions:

FS-41

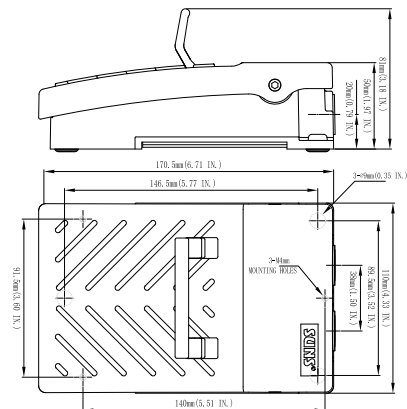


FS-4 Series Medium Duty Foot Switches

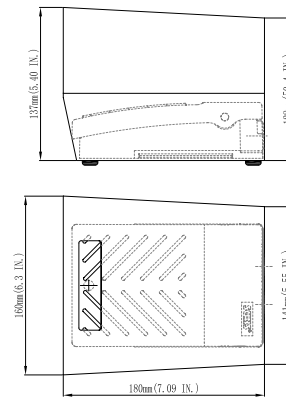
FSM-41



FSM-4-A (Anti-trip)



FS-41G



FS-41GP

