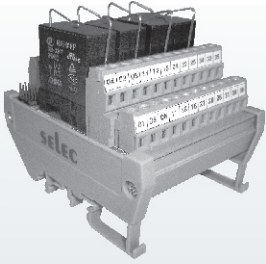
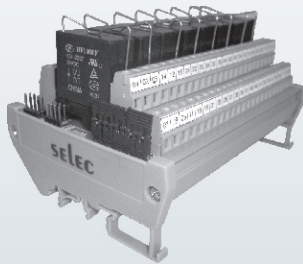


RLYMD-1-S4-2CO-24VDC



RLYMD-2-S8-2CO-24VDC



Features:

- LED & free wheeling diode across coil
- Jumpers for coil looping
- Reverse polarity protection

Size: RLYMD-1-S4-2CO-24VDC : 69mm x 87mm x 78mm

RLYMD-2-S8-2CO-24VDC : 138mm x 87mm x 78mm

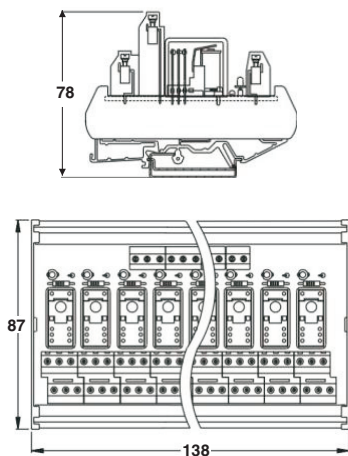
Technical Specifications

Contacts	2 C/O
No. of channels	4, 8
RELAY	
Nominal coil voltage	24V DC
Must operate voltage	18V DC
Max coil voltage	33V DC
Coil current per channel	46mA
Operate (set) time	15ms max
Release(reset) time	5ms max
Endurance	Mechanical: 10000000 ops Electrical: 100000 ops
Dielectric strength	Coil to contact : 5000VAC for 1 minute Contact sets : 3000VAC for 1 minute Open contacts : 1000VAC for 1 minute
Contact rating	5A@250VAC , 8A@30VDC
Mounting	35 mm DIN rail

Environmental Specifications

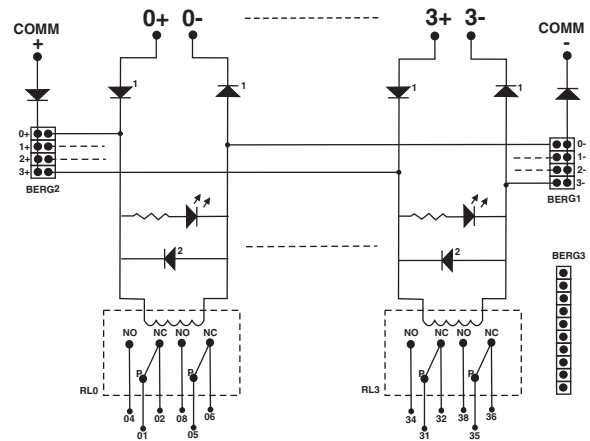
Temperature	Operating : -40 to 85 °C
Humidity (non-condensing)	98% RH
Weight	RLYMD-1-S4-2CO-24VDC : 250gms RLYMD-2-S8-2CO-24VDC : 450gms

Dimensions (in mm)



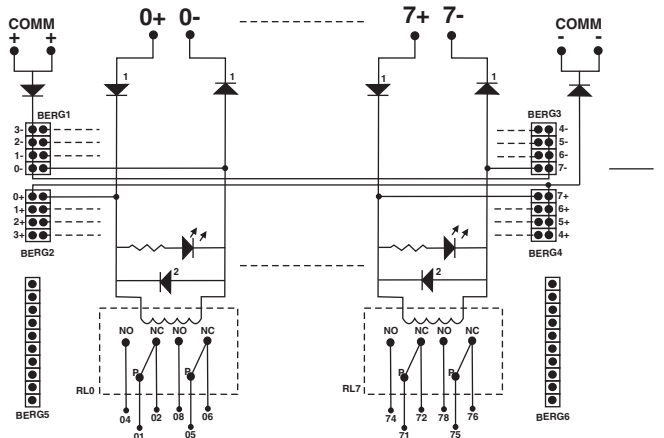
Terminal Connections

RLYMD-1-S4-2CO-24VDC



For negative looping of coils place jumpers at 0-, 1-, 2-, 3-
For Positive looping of coils place jumpers at 0+, 1+, 2+, 3+
For isolated coils place jumpers at BERG3

RLYMD-2-S8-2CO-24VDC



For Negative looping of coils place jumpers at 0-, 1-, 2-,7-
For Positive looping of coils place jumpers at 0+, 1+, 2+,7+
For isolated coils place jumpers at BERG5 & BERG6

Ordering Information

Product	Order Code
RELAY MODULES-2C/O	RLYMD-1-S4-2CO-24VDC
	RLYMD-2-S8-2CO-24VDC