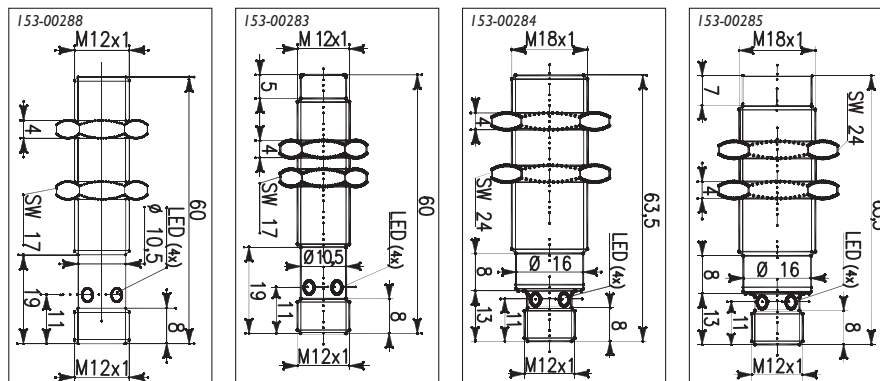


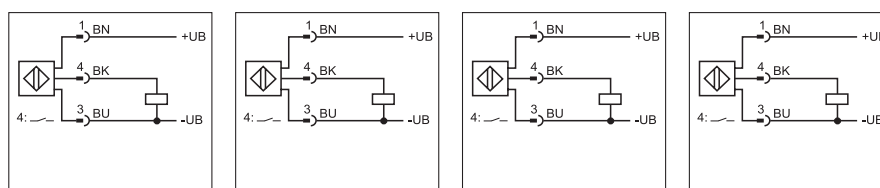


Stainless steel inductive sensors (solid metal)

- Robust stainless steel housing (incl. Front)
- High switching distances
- Very good correction values
- Short-circuit protection
- Reverse polarity protection
- Anti-inductive protection
- LED in plug-in connection



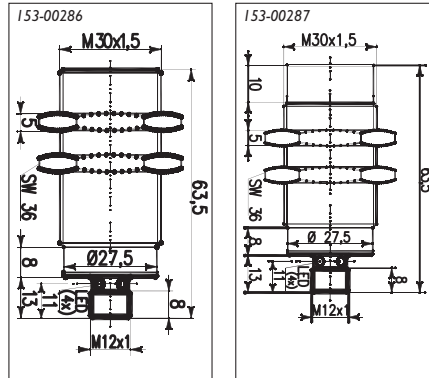
Housing (mm)	M12	M12	M18	M18
Nominal switching distance S_n (mm)	6	10	10	20
Type of mounting	flush	non-flush	flush	non-flush
Special features	solid metal	solid metal	solid metal	solid metal
Switching frequency (Hz)	400	400	200	200
Repeatability	0.3 mm	0.5 mm	0.5 mm	1 mm
Type of connection	M12 4-pin plug	M12 4-pin plug	M12 4-pin plug	M12 4-pin plug
Signal output	PNP	PNP	PNP	PNP
Output function	N.O.	N.O.	N.O.	N.O.
Range of operating voltage	15 to 34V DC	15 to 34V DC	15 to 34V DC	15 to 34V DC
Power consumption (no load) (mA)	12	12	12	12
Max. output current (mA)	< 200	< 200	< 200	< 200
Typical switching hysteresis	< 15%	< 15%	< 15%	< 15%
Function display	LED	LED	LED	LED
Casing material	stainless steel	stainless steel	stainless steel	stainless steel
Protection standard	IP 67	IP 67	IP 67	IP 67
Ambient temperature	-25 to +70°C	-25 to +70°C	-25 to +70°C	-25 to +70°C
Correction values	Al:1 Cu:0.8 Ms:1.3 V2A:0.5/0.9	Al:1 Cu:0.8 Ms:1.3 V2A:0.5/0.9	Al:1 Cu:0.8 Ms:1.3 V2A:0.5/0.9	Al:1 Cu:0.8 Ms:1.3 V2A:0.5/0.9
Order type	IT 12 BM-PSL4	IT 12 NBM-PSL4	IT 18 BM-PSL4	IT 18 NBM-PSL4



Stainless steel inductive sensors (solid metal)



- Robust stainless steel housing (incl. Front)
- High switching distances
- Very good correction values
- Short-circuit protection
- Reverse polarity protection
- Anti-inductive protection
- LED in plug-in connection



Housing (mm)	M30	M30
Nominal switching distance S_n (mm)	20	40
Type of mounting	flush	non-flush
Special features	solid metal	solid metal
Switching frequency (Hz)	100	100
Repeatability	1 mm	2 mm
Type of connection	M12 4-pin plug	M12 4-pin plug
Signal output	PNP	PNP
Output function	N.O.	N.O.
Range of operating voltage	15 to 34 V DC	15 to 34 V DC
Power consumption (no load) (mA)	12	12
Max. output current (mA)	< 200	< 200
Typical switching hysteresis	< 15%	< 15%
Function display	LED	LED
Casing material	stainless steel	stainless steel
Protection standard	IP 67	IP 67
Ambient temperature	-25 to +70°C	-25 to +70°C
Correction values	Al:1 Cu:0.8 Ms:1.3 V2A:0.5/0.9	Al:1 Cu:0.8 Ms:1.3 V2A:0.5/0.9
Order type	IT 30 BM-PSL4	IT 30 NBM-PSL4

