

8150 Battery Powered Flow Totalizer



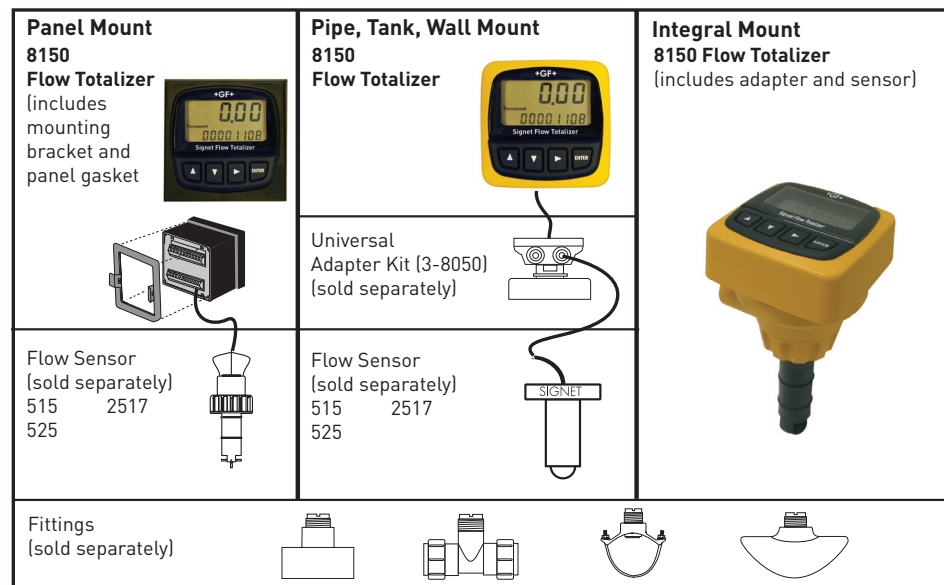
Description

8150 Battery Operated Flow Totalizer is compatible with the 515, 525 and 2517 flow sensors, and will provide years of dependable operation. The large digital display indicates flow rate and totalized flow volume simultaneously. One of the three totalizers is resettable from the front panel or a remote location, while the second resettable totalizer can only be reset by entering a user-selectable security code. Meanwhile, the third is a permanent non-resettable totalizer.

Our intuitive software design and four-button keypad provide for simple operation while setting screen dis-

plays and programming the system. Calibration can be easily performed by entering the Auto-Cal feature and entering a value to match an external reference. Screen displays can be modified to suit the user's needs; along with the flow rate, any of the three totalizers can be selected as the displayed totalizer. Customers can quickly scroll through the totalizers simply by pressing any key on the keypad. A display averaging feature is included for applications where the flow in the pipe fluctuates. For applications where flow stops and starts due to production needs, a no-flow indicator will display the hours of non-flow.

System Overview



Features

- Three totalizers: 2 Resettable and 1 Permanent, user selectable
- Long-lasting lithium batteries
- Mounting versatility
- No-flow indicator
- Large digital display with averaging
- Simple push-button operation
- User selectable access code prevents unwanted changes
- Auto-calibration

Applications

- Wastewater Flow Accumulation
- Water Treatment Systems
- Remote or Mobile Treatment/Distribution Systems
- Irrigation Systems
- Filtration Systems
- Commercial Pools & Spas
- Groundwater Remediation
- RO Concentrate
- Process Flow Monitoring
- UPW Distribution
- Demineralizer Regeneration
- Process Cooling Water

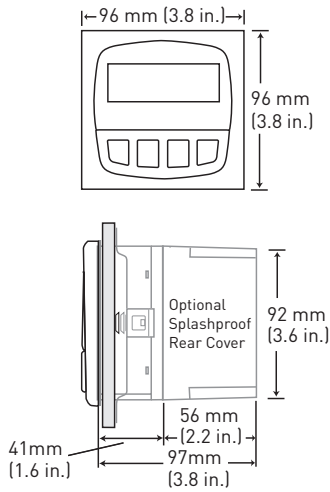


E171559

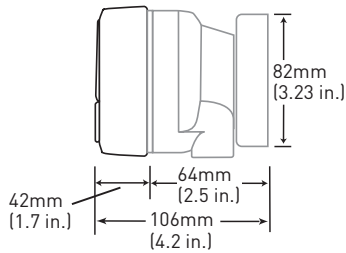
Dimensions

8150

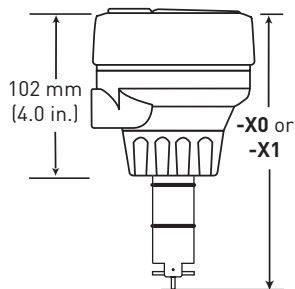
Panel Mount



8150 with universal mount



Model Integral Mount



-X0 = 152mm (6.0 in.)
-X1 = 185mm (7.3 in.)

Specifications

General

Compatibility: Signet 515, 525 and 2517 flow sensors
 Input Freq. Range: 0 to 400Hz
 Accuracy: $\pm 0.5\%$ of reading
 Display: LCD type

- 4-digit upper line - flow rate
- 8-digit lower line - volume totalizer count, either resettable or permanent

Averaging 0 to 120 secs.
 Contrast: Automatic
 Low battery indication:

Battery symbol appears on LCD display
 8-digit resettable totalizers:
 Stored until user resets; continues to be stored even after batteries are removed
 8-digit permanent:
 Kept permanently, even when batteries are removed

Materials

- Enclosure: PBT resin
- Keypad material: Sealed 4-key silicon rubber
- Panel Case gasket: Neoprene
- Window: Polyurethane coated polycarbonate

Electrical

Battery: Two 3.6V Lithium thionyl chloride, AA-size
 Battery life: 4 years nominal @ 50°C (122°F)

Environmental

Enclosure rating: NEMA 4X/IP65 front
 Operating Temperature: -10°C to 65°C (14°F to 149°F)
 Storage Temperature: -40°C to 100°C (-40°F to 212°F)
 Relative Humidity: 0 to 95% Non-condensing

Shipping Weight: 0.5 kg (1.1 lbs.)

Standards and Approvals

- CE
- CUL, UL pending
- Manufactured under ISO 9001:2000 for Quality and ISO 14001:2004 for Environmental Management

Ordering Information

Instrument Part Number	
3-8150	Battery Operated Flow Totalizer
	Field, Panel, or Integral Sensor mount - choose one
-1	Field mount for pipe, tank, and wall mounting
-1P	Panel mount; includes mounting bracket and panel gasket
-P0*	3-8150-1 integrally mounted on Model 515 Paddlewheel (Part No. 3-8510-P0) for 0.5 to 4 in. pipes, with a polypropylene body, Black PVDF rotor, and Titanium pin
-P1*	3-8150-1 integrally mounted on Model 515 Paddlewheel (Part No. 3-8510-P1) for 5 to 8 in. pipes, with a polypropylene body, Black PVDF rotor, and Titanium pin
-T0*	3-8150-1 integrally mounted on Model 515 Paddlewheel (Part No. 3-8510-T0) for 0.5 to 4 in. pipes, with a natural PVDF body, rotor, and pin
-V0*	3-8150-1 integrally mounted on Model 515 Paddlewheel (Part No. 3-8510-V0) for 0.5 to 4 in. pipes, with a natural PVDF body, rotor, and Hastelloy pin
3-8150	- 1 Example Part Number

Model 8150

Ordering Notes:

- 1) For panel version, cutout must be 92 x 92 mm (3.62 x 3.62 in.)
- 2) To mount the panel version on a wall, use the heavy duty wall mount bracket.
- 3) Use the Universal mounting kit with the Field mount instrument to mount to a pipe, tank or wall.
- 4) An optional splash proof rear cover can be ordered separately if needed.