

METAL FACE INDUCTIVE SENSORS SMF18-C5 ■ ■ ■ series



- METALLIC CYLINDRICAL HOUSING M18x1
- AMPLIFIED 3 or 4 WIRES D.C.

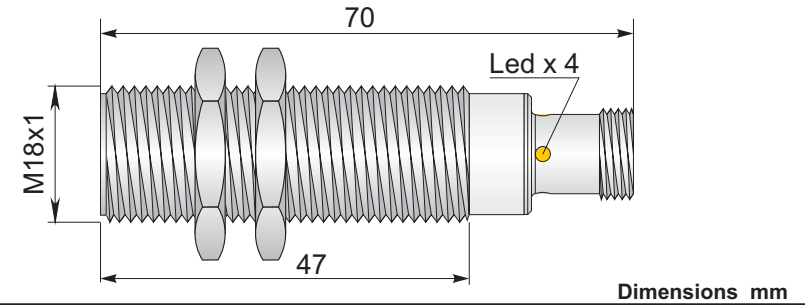
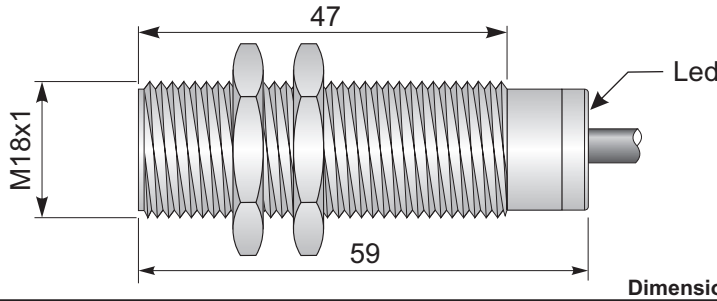
- OUTPUT FUNCTION NO or NC
- OUTPUT TYPE NPN, PNP o NPN/PNP

- IN CONFORMITY WITH: - PRODUCT NORM EN60947-5-2
- ELECTROMAGNETIC COMPATIBILITY DIRECTIVE 2004/108 CE



EMBEDDABLE

* = on demand

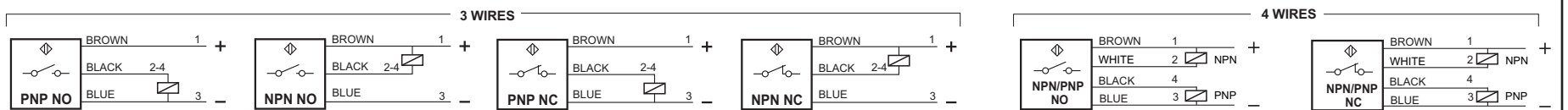


TECHNICAL CHARACTERISTICS

		Dimensions mm			Dimensions mm		
AMPLIFIED 3 Wires D.C.	NPN	NO	SMF18-C5 NPN NO (*)	-	SMF18-C5 NPN NO H	-	
		NC	SMF18-C5 NPN NC (*)	-	SMF18-C5 NPN NC H	-	
	PNP	NO	SMF18-C5 PNP NO (*)	-	SMF18-C5 PNP NO H	-	
		NC	SMF18-C5 PNP NC (*)	-	SMF18-C5 PNP NC H	-	
AMPLIFIED 4 Wires D.C.	NPN/PNP	NO	-	SMF18-C5 NPN/PNP NO	-	SMF18-C5 NPN/PNP NO H (*)	
		NC	-	SMF18-C5 NPN/PNP NC	-	SMF18-C5 NPN/PNP NC H (*)	
Switching distance (Sn)	mm				5		
Continuous voltage (res. ripple ≤ 10%)	V				10 ÷ 30		
Hysteresis (%Sn)					< 20%		
Switching frequency	Hz				50		
Repeatability (at constant temperature)					≤ 1		
Max. output current	mA				200		
Min. output current	mA				≤ 2		
Voltage drop (output ON)	V				< 1.8		
Short circuit protection					Incorporated		
Led					Incorporated		
Operating temperature range	°C				-25 ÷ +70		
IP rating	IP				IP69K		
Housing					AISI 316L		
PVC Cable	2mt	3x0,25 mm ²		4x0,25 mm ²		-	
Connection with connector					H		

WIRING DIAGRAM

VIEW OF MALE CONNECTOR



CW227B - 03/16