



**Industrial
Panel
PC
Catalog
2017**



HARDWARE FEATURES

WPC-Series Industrial PC

Main Features



- Intel Baytrail J1900 4-Core CPU , 178°full view LED screen, high resolution ;
- Shell is made in matte and smooth steel plate, more beautiful and more stable.
- USB3.0 supported, two ways 1000MB Ethernet network support, WIFI is optional.
- Resistance touch screen with dust-proof and oil-proof, the life-time is more than 30 million times.
- Turn-on by power supported, support uninterrupted running with 24 hours. All capacitors are solid-state
- Stainless steel power switch, aviation plug for power-supply port.
- 2-channel Built-in speakers.
- VGA and HDMI output
- SSD solid disk supported



HARDWARE FEATURES

WPC-Series Industrial PC

CPU



- Intel Baytrail J1900 4-Core CPU , lower power assumption and higher speed.
- Best fanless cooling performance without noise



Interface and Ports



- Maximum 6 serial ports, RS232/RS485/RS422 supported
- VGA and HDMI output supported
- 1000MB Ethernet network support(Maximum 2), WIFI is optional.
- Microphone and speakers.
- DC 12V power supply



WPC-Series Industrial PC

OS and Software >>



- Windows7/Windows 8/Windows10
- SCADA software based on Windows system
- Linux System supported(it is supported by customer themselves)



INSTALLATION

WPC-Series Industrial PC



VESA



Wall-hanging style



Desktop type



Embedded installation

SPECIFICATIONS

Industrial PC



| Model | WPC-100403A | WPC-120403A | WPC-150403A |
|-------|-------------|-------------|-------------|
|-------|-------------|-------------|-------------|

| | | | |
|------------------------|----------------------------------------------------------------------------------------------------------------------------|------------------------------------------|------------------------------------------|
| Screen Size | 10.4 inch | 12 inch | 15 inch |
| Shell material | Steel | | |
| Shell color | Black | | |
| CPU | Intel Celeron J1900 | Intel Celeron J1900 | Intel Celeron J1900 |
| Resolution | 1024*768 | 1024*768 | 1024*768 |
| Screen ratio | 4:3 | 4:3 | 4:3 |
| Touch screen | 5-wire analog resistive | | |
| Memory | 4G DDR3 | | |
| SSD | 32GB SSD (64GB/128GB optional) | | |
| Display chip | IntelHD Graphics | | |
| Audio chip | Integrated Realtek ALC662 | | |
| Networkcard chip | Integrated RTL 8111 GigabitNIC | | |
| Power Adapter | 100-240V input; 12V/5A output | | |
| Size(mm) | 276.0*214.0*46.0 | 316.0*260.0*56.0 | 375.0*290.0*53.0 |
| Cut size(mm) | 252.5*189.7 | 295.0*238.0 | 355.0*271.0 |
| Gross Weight (KG) | 5 | 6 | 7 |
| Temperature | -10 °C ~ 50 °C | -10 °C ~ 50 °C | -10 °C ~ 50 °C |
| System | Windows 7 (inofficial) (support Windows 7/8/10) | | |
| Power | <25W | <25W | <30W |
| USB Host | 4 | 6 | 6 |
| Serial Ports | RS232 * 2 | RS232*6 (COM3 optional for RS485/422) | RS232*6 (COM3 optional for RS485/422) |
| Network | RJ45*1(Ethernet) | RJ45*1(Ethernet) | RJ45*1(Ethernet) |
| VGA | 1 | | |
| HDMI | 1 | | |
| Audio | 1 | | |
| Wifi | Optional | | |
| Installation methods | VESA, Wall-hanging, Desktop and Embedded installation | | |
| Industrial environment | Industrial dust,anti-stress,anti-interference, high and low temperature stability,support 24 hours of continuous operation | | |

SPECIFICATIONS

Industrial PC



| Model | WPC-170403A | WPC-190403A | WPC-211609A |
|-------|-------------|-------------|-------------|
|-------|-------------|-------------|-------------|

| | | | |
|------------------------|-----------------------------------------------------------------------------------------------------------------------------|---------------------|------------------------------------------|
| Screen Size | 17 inch | 19 inch | 21.5 inch |
| Shell material | Steel | | |
| Shell color | Black | | |
| CPU | Intel Celeron J1900 | Intel Celeron J1900 | Intel Celeron J1900 |
| Resolution | 1280*1024 | 1280*1024 | 1920*1080 |
| Screen ratio | 4:3.2 (5:4) | 4:3.2 (5:4) | 16:9 |
| Touch screen | 5-wire analog resistive | | |
| Memory | 4G DDR3 | | |
| SSD | 32GB SSD (64GB/128GB optional) | | |
| Display chip | IntelHD Graphics | | |
| Audio chip | Integrated Realtek ALC662 | | |
| Networkcard chip | Integrated RTL 8111 Gigabit NIC | | |
| Power Adapter | 100-240V input; 12V/5A output | | |
| Size(mm) | 415.0*337.0*57.0 | 451.0*380.0*59.2 | 552.9*345.0*57.0 |
| Cut size(mm) | 394.0*316.0 | 432.5*361.5 | 447.8*269.3 |
| Gross Weight (KG) | 8 | 10 | 12 |
| Temperature | -10 °C ~ 50°C | -10 °C ~ 50°C | -10 °C ~ 50°C |
| System | Windows7 (inofficial) (support Windows7/8/10) | | |
| Power | <35W | <45W | <38W |
| USB Host | 4 | 4 | 4 |
| Serial Ports | RS232*6 (COM3 optional for RS485/422) | RS232*2 | RS232*6 (COM3 optional for RS485/422) |
| Network | RJ45*2(Ethernet) | RJ45*1(Ethernet) | RJ45*2(Ethernet) |
| VGA | 1 | | |
| HDMI | 1 | | |
| Audio | 1 | | |
| Wifi | Optional | | |
| Installation methods | VESA, Wall-hanging, Desktop and Embedded installation | | |
| Industrial environment | Industrial dust,anti-stress, anti-interference, high and low temperature stability,support 24 hours of continuous operation | | |

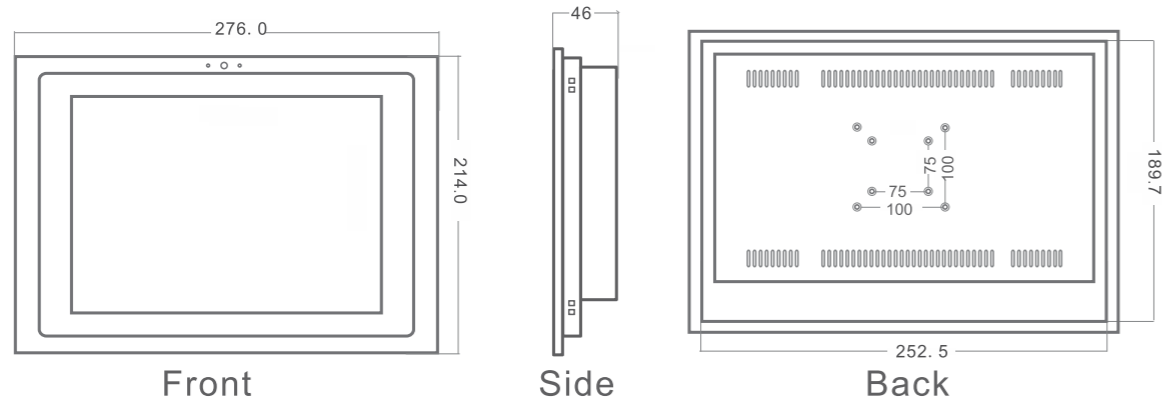
- Industrial Automation
- Environment Monitoring
- Building Advertisement
- SCADA System
- Digital Labeling
- Military and Aero-Space
- Sales and POS System
- IoT System



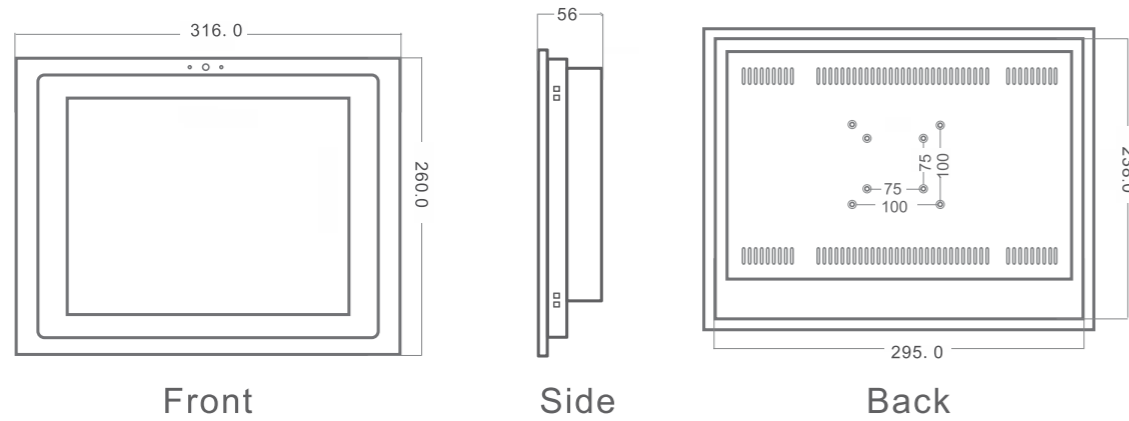
INSTALLATION DIMENSION

*Unit: mm

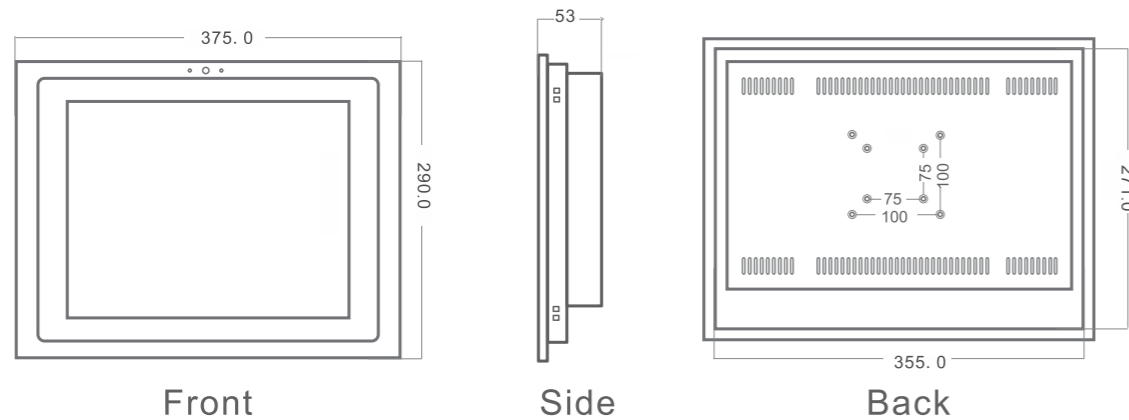
Product Size 10.4"



Product Size 12"



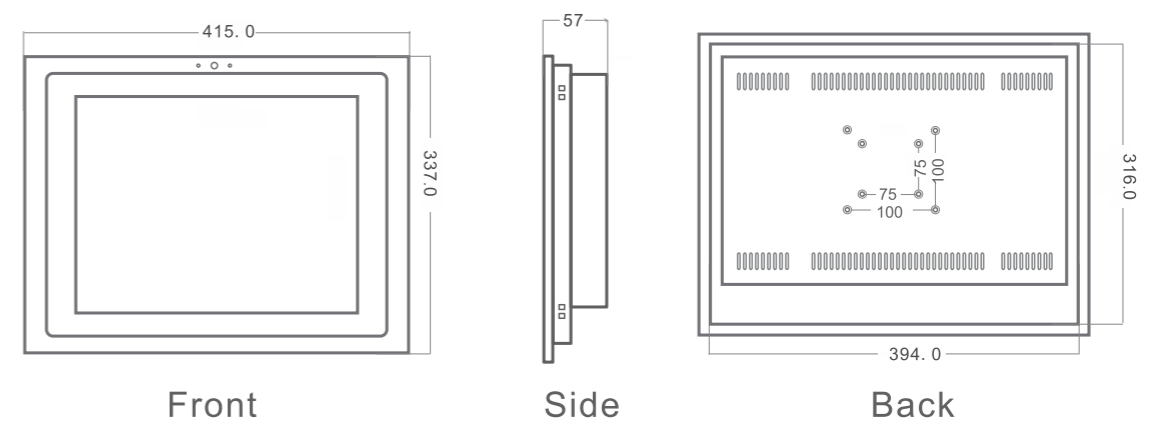
Product Size 15"



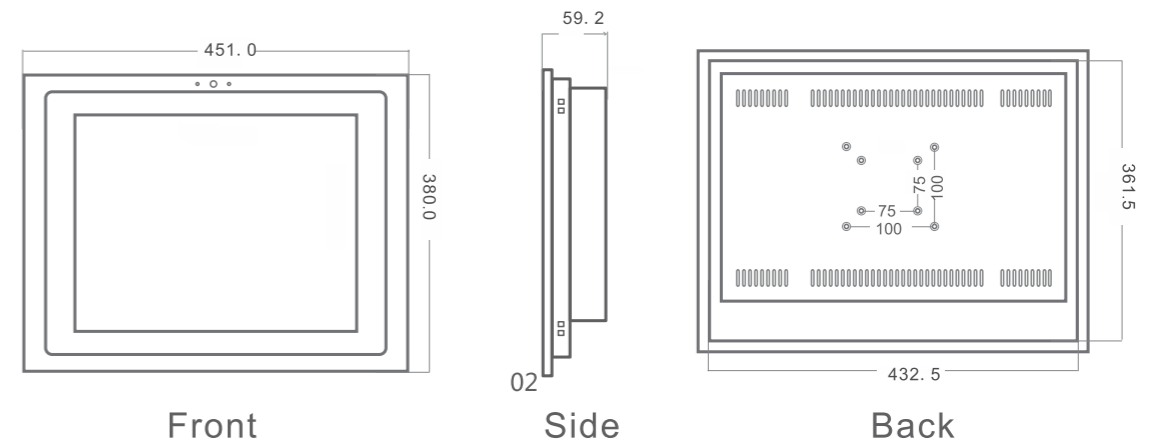
INSTALLATION DIMENSION

*Unit: mm

Product Size 17"



Product Size 19"



Product Size 21.5"

