

# PRESSURE TRANSMITTERS

## "Piezoresistive Pressure Sensor"

# BCT 110



- Piezoresistive pressure sensor
- High sensitivity
- Standard diaphragm
- Stainless steel case
- EMC and reverse polarity protection
- Analog output: 4...20mA or 0...10VDC
- 100 mbar to 600 bar

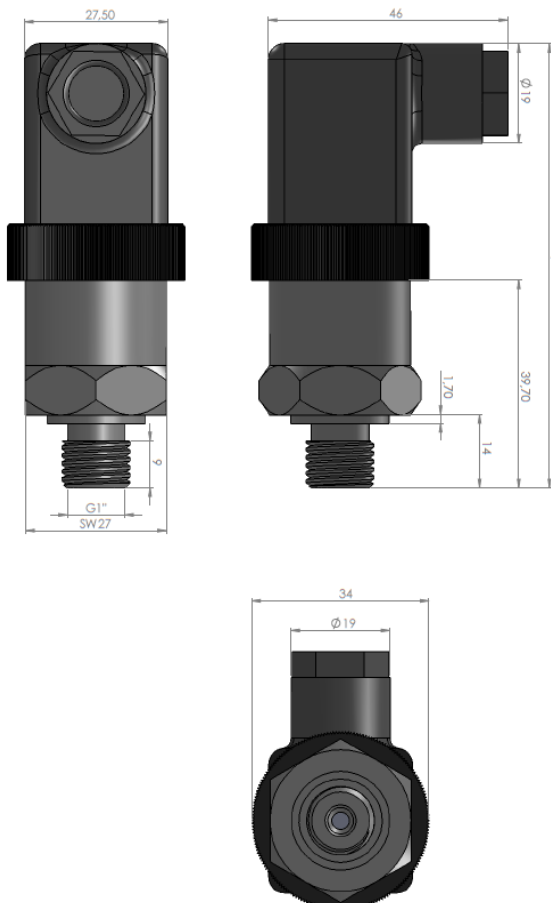
### Applications

- Pneumatic Systems
- Hydraulic Systems
- Machines Equipments
- Air Cooling – Heating Systems
- Water Technologies
- Automation Applications

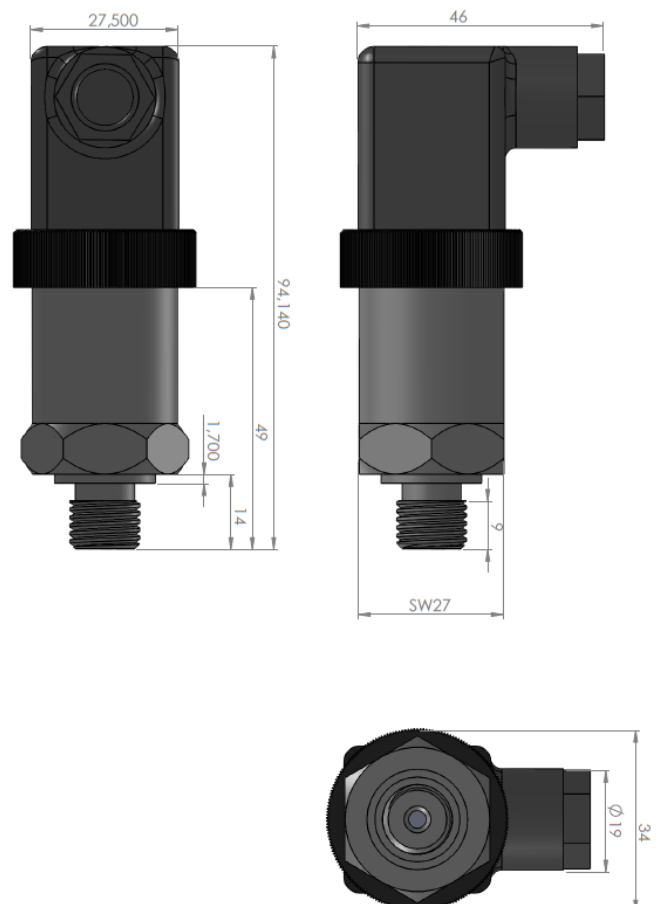
### BCT Technical Specifications

Pressure Range	100 mbar to 600 bar
Output Signal	4...20mA (2 Wires) , 0...10VDC (3 Wires)
Mechanical Connection	G1, G1/2, G1/4
Power Supply	+12...30 VDC
Accuracy	%0,5
Operating Temperature	-20°C to +85°C
Housing Material	Stainless steel, Brass
Weight	140 grams

### Mechanical Dimension (2 Bar to 400 Bar)

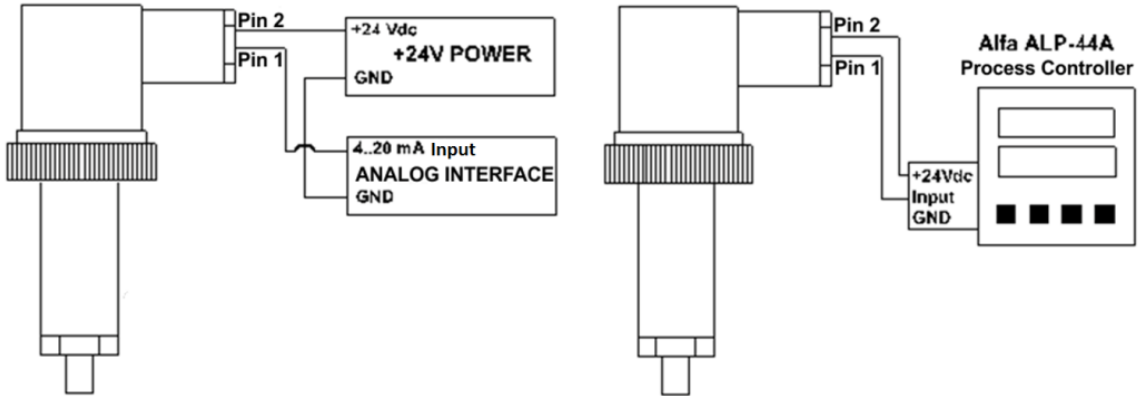


### Mechanical Dimension (100 Milibar to 1 Bar and 600 Bar)



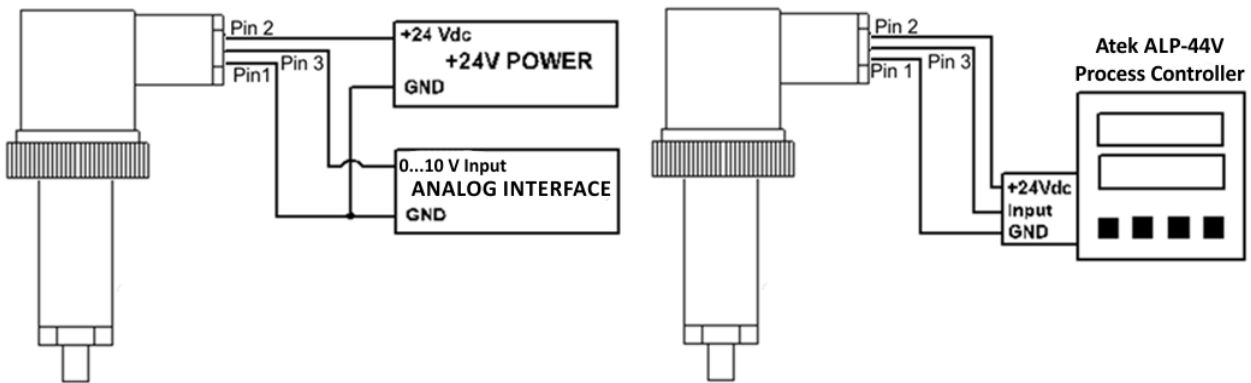
Pin No 2 Wires 4-20mA Connection	Signal
1	4...20mA Analog Output
2	+12...30 VDC (Supply)

**Sample Connection:**



Pin No 3 Wires 0-10VDC Connection	Signal
1	GND
2	+12...30 VDC (Supply)
3	0...10VDC Analog Output

**Sample Connection:**



**Order Code**

<b>Model</b>	<b>Output Signal</b>	<b>Electrical Connection</b>
V A	: 0-10 VDC Analog Voltage : 4-20 mA Analog Current	S : DIN43650 Female Socket * Please ask for others
<b>BCT 110</b>	<b>16B</b>	<b>V</b>
<b>Pressure</b>	<b>Mechanical Connection</b>	<b>G1/4</b>
100mB : 100 Milibar 16B : 16 Bar 600B : 600 Bar * Between 100 milibar to 600 Bar	G1/4 : G1/4 Connection G1 : G1 Connection G1/2 : G1/2 Connection * Please ask for other mechanical connections	<b>S</b>