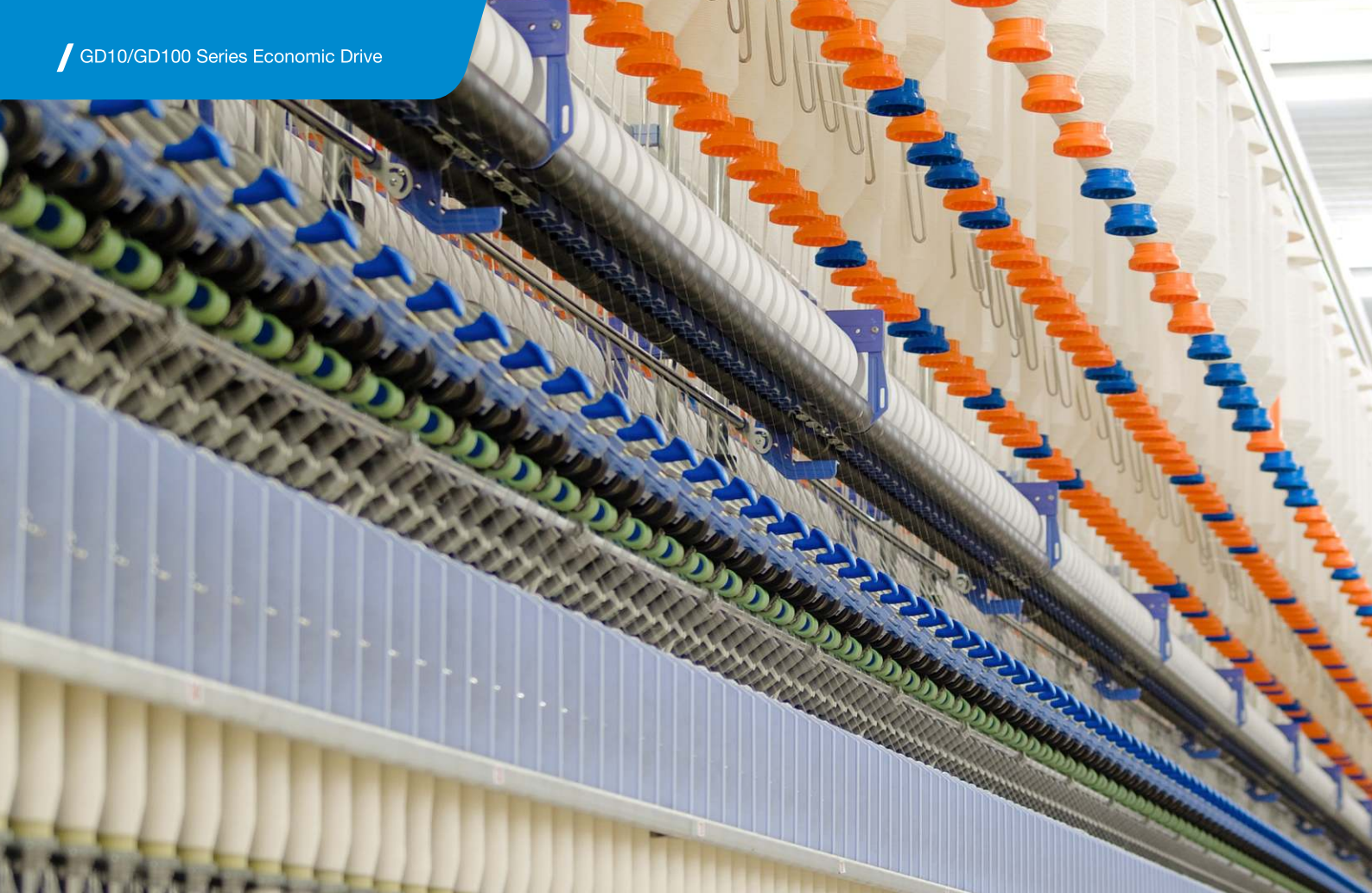


# GD10

Economic Drive



**BILMATIC**  
CONTROL Y AUTOMATISMOS

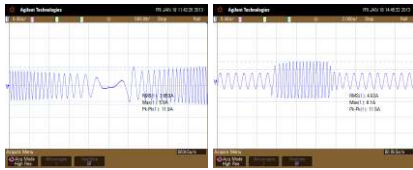


# Goodrive10 Series Mini Drive

Goodrive 10 Series Mini Drive, positioned as common application occasions for small power OEM matching market. Products with complete functions and smaller installation volume, widely used in packaging machine, food machine, textile machine; centrifuge, engraving machine, wire cutting machine and other industry machinery.

# Product Features

- V/f control



FWD/REV current waveform with full load at 50Hz

Current waveform in sudden acceleration/deceleration at 0.5Hz

- Natural cooling(for the applications with cotton and dust)



- Mini structure, less installation space



GD100-2R2-4



GD10-2R2-4

- Various function setting

1. Standard Modbus communication
2. Built-in PID
3. 16 steps multi-step speed control
4. Flexible V/f curve setting
5. Multi-function I/O terminal (the delay time can be set)
6. Fault protection at overcurrent, overvoltage, undervoltage, overtemperature and overload with detailed fault information
7. DC braking, flux braking and resistor dynamic braking
8. Overcurrent and overvoltage stall, stronger load adaptability

# Technical Specifications

| Function                               | Specification  |
|--|--|
| Input voltage (V)                      | Single phase 220(-15%)~240(+10%)<br>Three phase 220(-15%)~240(+10%)<br>Three phase 380(-15%)~440(+10%)                           |
| Input frequency (Hz)                   | 50Hz or 60Hz Allowed range: 47~63Hz  |
| Output voltage (V)                     | 0- input voltage   |
| Output frequency (Hz)                  | 0-400Hz  |
| Control mode                           | V/f  |
| Maximum output frequency               | 400Hz  |
| Adjustable-speed ratio                 | 1:100  |
| Overload capability                    | 150% of rated current: 1 minute, 180% of rated current: 10 seconds,<br>200% of rated current: 1 second                           |
| Terminal analog input resolution       | ≤20mV  |
| Terminal switch input resolution       | ≤2ms   |
| Analog input/output                    | 1 input 0~10V/0~20mA; 1 output 0~10V/0~20mA  |
| Digital input/output                   | 5 common input, 1 Y output (commonly used with digital output) and 1 programmable relay output                                   |
| Communication                          | 485 communication  |
| Mountable method                       | Wall mountable   |
| Temperature of the running environment | -10~50°C, derate above 40°C  |
| Cooling                                | Single/three-phase 220V 0.2~0.75kW natural cooling<br>Single/three-phase 220V 1.5~2.2kW, three-phase 380V 0.75~2.2kW air-cooling |
| Fault protections                      | Overcurrent, overvoltage, undervoltage, overtemperature, overload and other protections  |
| Braking unit                           | Only standard for GD10-B   |

## Type Designation Key

**GD10 - 2R2G - 4 - B**

①

②

③

④

| Sign | Detailed description of the sign | Detailed content  |
|------|----------------------------------|---|
| ①    | Product abbreviation             | Goodrive10 is shorted for GD10                                      |
| ②    | Power range + Load type          | 2R2-2.2kW<br>G constant torque load                                 |
| ③    | Voltage degree                   | 4: three-phase 380V<br>2: three-phase 220V<br>S2: single-phase 220V |
| ④    | Lot No.                          | Default: No braking unit<br>B: Built-in braking unit                |

## Power Ratings

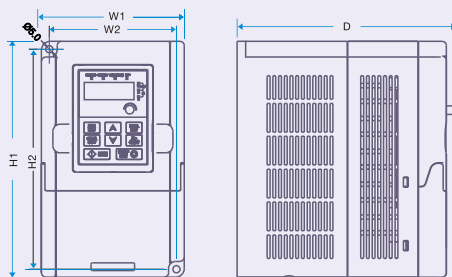
| Model     |                | Output power(kW) | Input current(A) | Output current (A) |
|-----------|----------------|------------------|------------------|--------------------|
| 1 AC 220V | GD10-0R2G-S2-B | 0.2              | 4.9              | 1.6                |
|           | GD10-0R4G-S2-B | 0.4              | 6.5              | 2.5                |
|           | GD10-0R7G-S2-B | 0.75             | 9.3              | 4.2                |
|           | GD10-1R5G-S2-B | 1.5              | 15.7             | 7.5                |
|           | GD10-2R2G-S2-B | 2.2              | 24               | 10                 |
| 3 AC 220V | GD10-0R2G-2-B  | 0.2              | 1.9              | 1.6                |
|           | GD10-0R4G-2-B  | 0.4              | 2.7              | 2.5                |
|           | GD10-0R7G-2-B  | 0.75             | 4.9              | 4.2                |
|           | GD10-1R5G-2-B  | 1.5              | 9                | 7.5                |
|           | GD10-2R2G-2-B  | 2.2              | 15               | 10                 |
| 3 AC 380V | GD10-0R7G-4-B  | 0.75             | 3.2              | 2.5                |
|           | GD10-1R5G-4-B  | 1.5              | 4.3              | 4.2                |
|           | GD10-2R2G-4-B  | 2.2              | 7.1              | 5.5                |

# Product Weight And Dimensions

| Voltage   | Power     | Gross weight(kg) | Net weight(kg) | Packing material | Dimension(mm) |
|-----------|-----------|------------------|----------------|------------------|---------------|
| 1 AC 220V | 0.2~0.4KW | 1.4              | 1.1            | Carton box       | 190x135x235   |
|           | 0.7~2.2KW | 1.7              | 1.3            | Carton box       | 230x160x230   |
| 3 AC 220V | 0.2~0.7KW | 1.4              | 1.1            | Carton box       | 190x135x235   |
|           | 1.5~2.2KW | 1.7              | 1.3            | Carton box       | 230x160x230   |
| 3 AC 380V | 0.7~2.2KW | 1.7              | 1.3            | Carton box       | 230x160x230   |

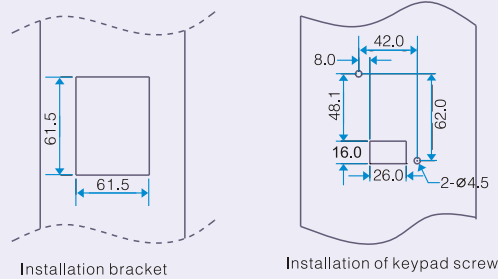
# Installation Dimension

## Inverter dimensions



## External keypad installation

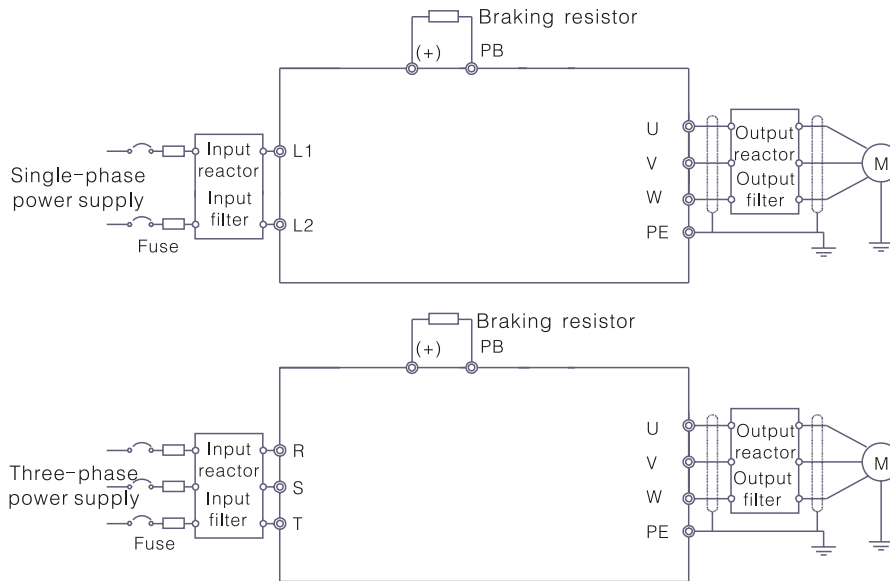
(unit: mm)



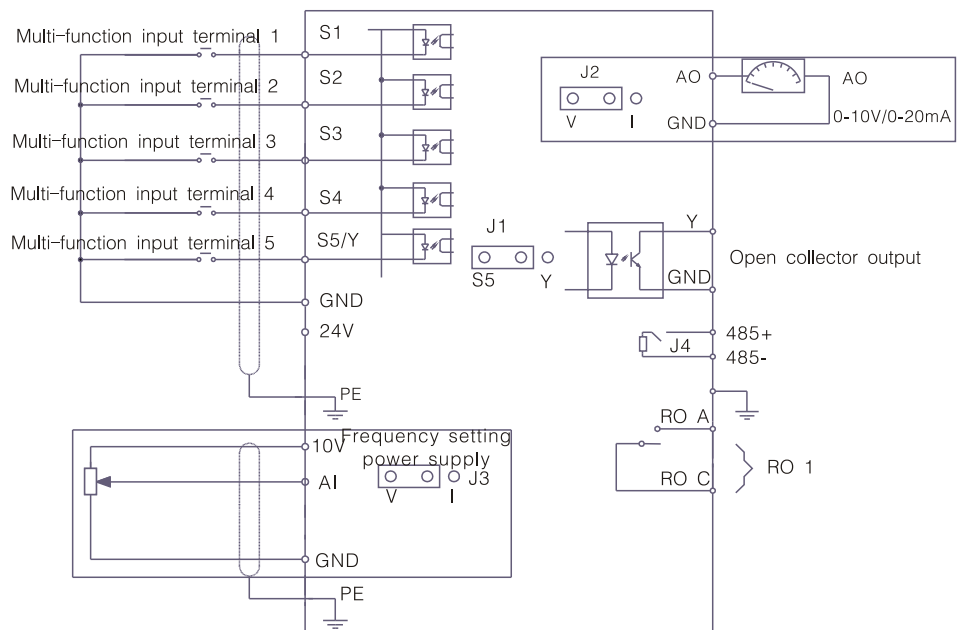
| Model     |                | W1(mm) | W2(mm) | H1(mm) | H2(mm) | D(mm) |
|-----------|----------------|--------|--------|--------|--------|-------|
| 1 AC 220V | GD10-0R2G-S2-B | 85     | 75     | 140    | 132    | 134.2 |
|           | GD10-0R4G-S2-B |        |        |        |        |       |
|           | GD10-0R7G-S2-B |        |        |        |        |       |
|           | GD10-1R5G-S2-B |        |        |        |        |       |
|           | GD10-2R2G-S2-B |        |        |        |        |       |
| 3 AC 220V | GD10-0R2G-2-B  | 85     | 75     | 140    | 132    | 134.2 |
|           | GD10-0R4G-2-B  |        |        |        |        |       |
|           | GD10-0R7G-2-B  |        |        |        |        |       |
|           | GD10-1R5G-2-B  |        |        |        |        |       |
|           | GD10-2R2G-2-B  |        |        |        |        |       |
| 3 AC 380V | GD10-0R7G-4-B  | 100    | 89     | 165    | 154    | 153.2 |

# Standard Wiring

## Wiring diagram of main circuit



## Wiring diagram of control board





*Your Trusted Industry Automation Solution Provider*

**BILMATIC**

**CONTROL Y AUTOMATISMOS**

PAE Asuaran, edificio enekuri, nave 18  
48950 Erandio Tel. 944711640 [bimatic@euskalnet.net](mailto:bimatic@euskalnet.net)